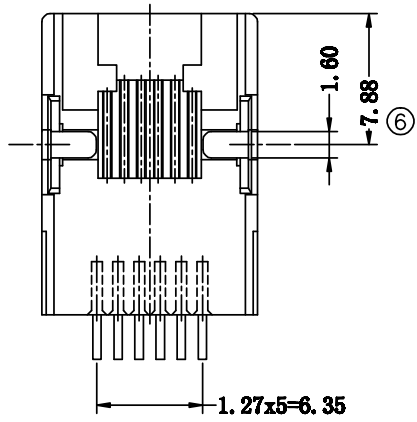
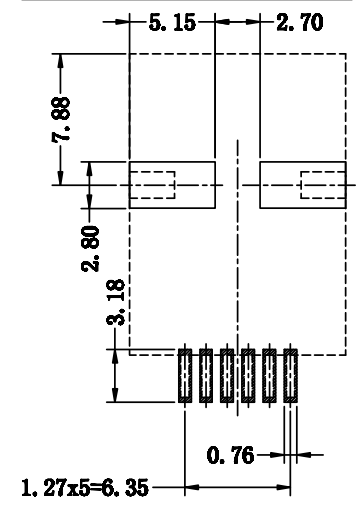


与铁脚共面，且同  
正同负MAX0.10

PCB LAYOUT/TOP VIEW



Electrical:

- 1.Voltage Rating: 125 Vac Rms
- 2.Current Rating: 1.5 Amp
- 3.Contact Resistance: 40 Milliohms Max
- 4.Insulation Resistance: 1000 Megohms Min@500 Vdc
- 5.Dielectric Strength: 1000 Vac Rms 60Hz,1Min

Mechanical:

- 1.Operating: 750 Cycles Min

Environmental:

- 1.Storage: -40°C To +85°C
- 2.Opertion: -20°C To +75°C

Mates With Modular Plug Conforming To FCC Part 68,Subpart F

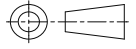
Notes:

MATERIALS

HOUSING: HIGH TEMP. THERMOPLASTIC FLAMMABILITY UL 94V-0

CONTACTS: PHOSPHOR BRONZE

PLATING: GOLD PLATING OVER NICKEL IN CONTACT  
TIN PLANTING OVER NICKEL IN SOLDER AREA

TOLERANCE UNLESS OTHERWISE SPECIFIED		CUSTOMER COPY			Coorle Technology				
LINER	ANGLES								
0 ± 0.50	± 3°	PROJECTION 			PROD. SIDE ENTRY PCB JACK DESCRIP. (6P6C SMT L脚向内)				
.0 ± 0.38					PROD. NUMBER				
.00 ± 0.25									
<b>ROHS</b>	DESIGN	PAUL HUANG	6/15/19	UNIT	SCALE	SIZE	REV.	Http://www.coorle.cn Tel: 0769-81585156 Fax: 0769-81605156	
	APPRO.			MM	/	A4	C		